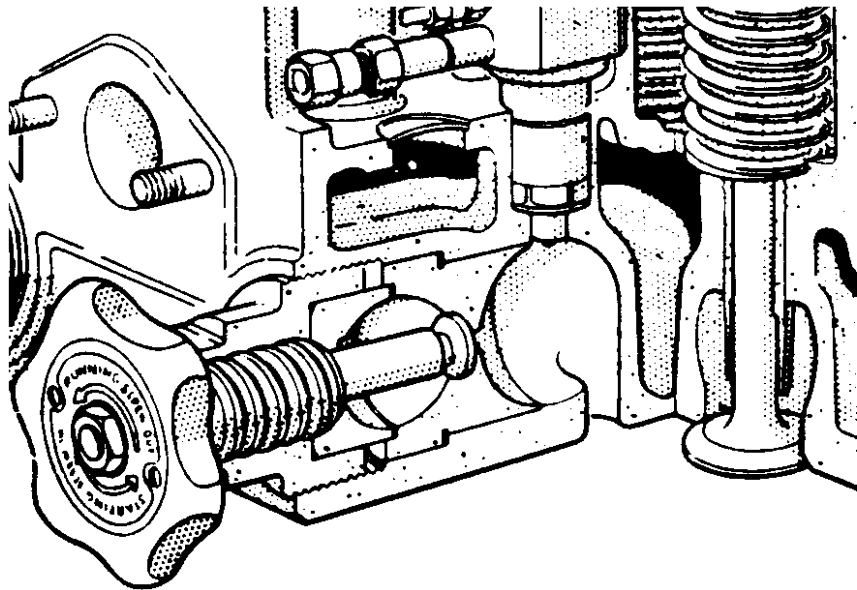
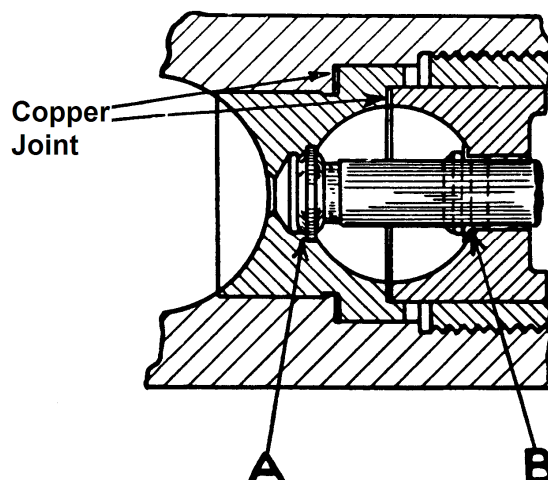


COMPRESSION CHANGE-OVER VALVE

Dismantling & Servicing



1. Unscrew nut for releasing auxiliary chamber. This will remove outer holder, outer chamber and C.O.V. spindle and copper sealing washer.
2. To remove intermediate section. Drive hard wood plug into connecting passage. Replace outer half a few turns.
3. Rotate crankshaft sharply when compression will force the intermediate section loose.
4. Remove outer half.
5. Remove intermediate section and copper sealing washer.
6. Remove hand wheel from valve spindle. Note the woodruff key in spindle.
7. Withdraw valve spindle.
8. The seatings A and B should be lightly ground in if necessary.



Marine Engine Services Ltd., Unit 3, 549 Eskdale Road, Uxbridge UB8 2RT.

01895-236246. www.marineengine.co.uk mareng@btconnect.com